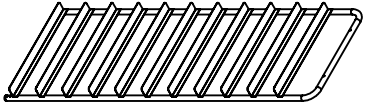
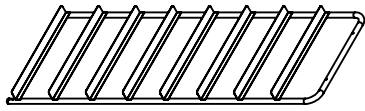
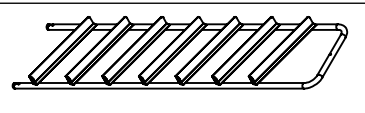
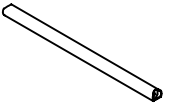
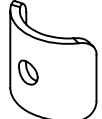

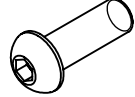
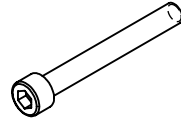
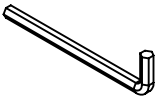

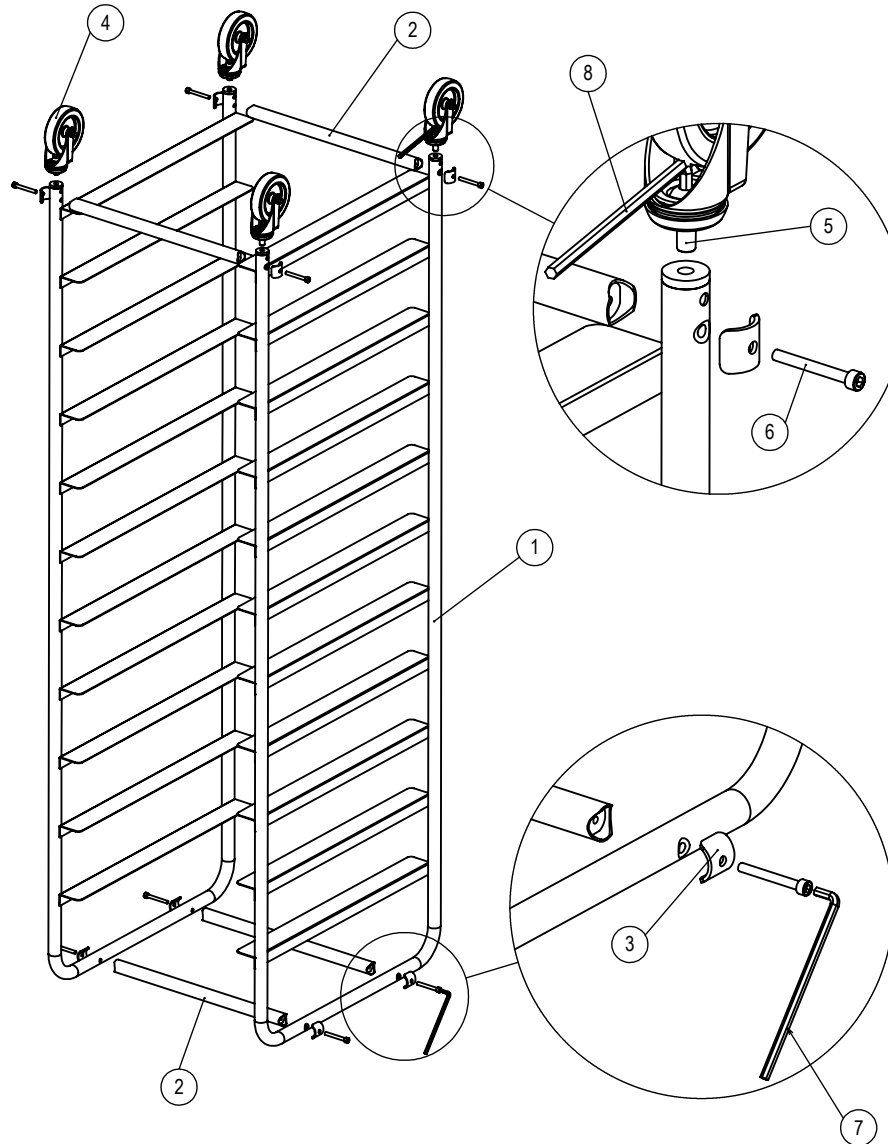
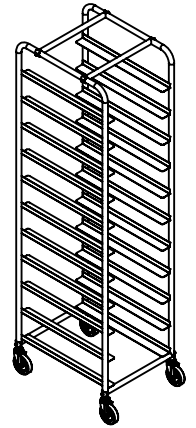


# KM162, KM164, KM166

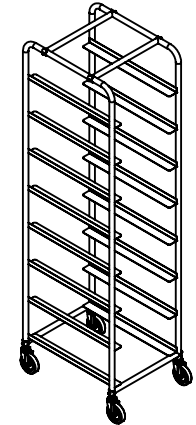
		KM162	KM164	KM166
1.		2x	-	-
		-	2x	-
		-	-	2x
2.		4x	4x	3x
3.		8x	8x	6x
4.		4x	4x	4x
5.	 Ø 100 M10x30	4x	4x	4x
6.	 M6x50	8x	8x	6x
7.	 5mm	1x	1x	1x
8.	 8mm	1x	1x	1x



KM162



KM164



KM166

