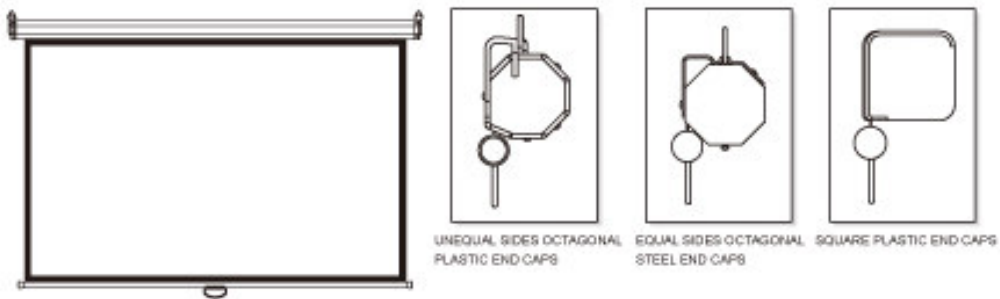


MANUAL WALL SCREEN

Technical Specifications

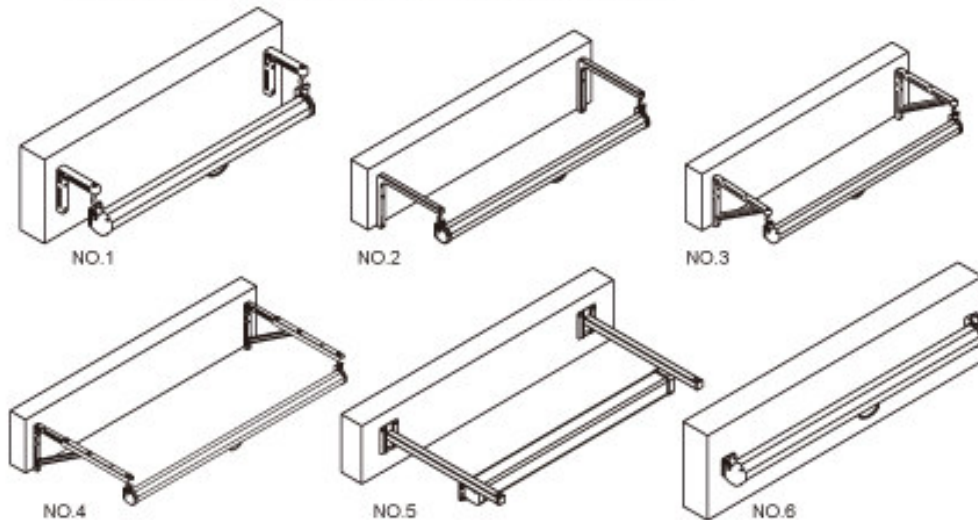
Thank you for choosing our screens.
 All our screens have passed the strict quality inspection before delivery.
 Read this manual carefully to ensure proper usage. You may also find
 the solution if you have problems.

THE SHAPE OF WALL SCREEN

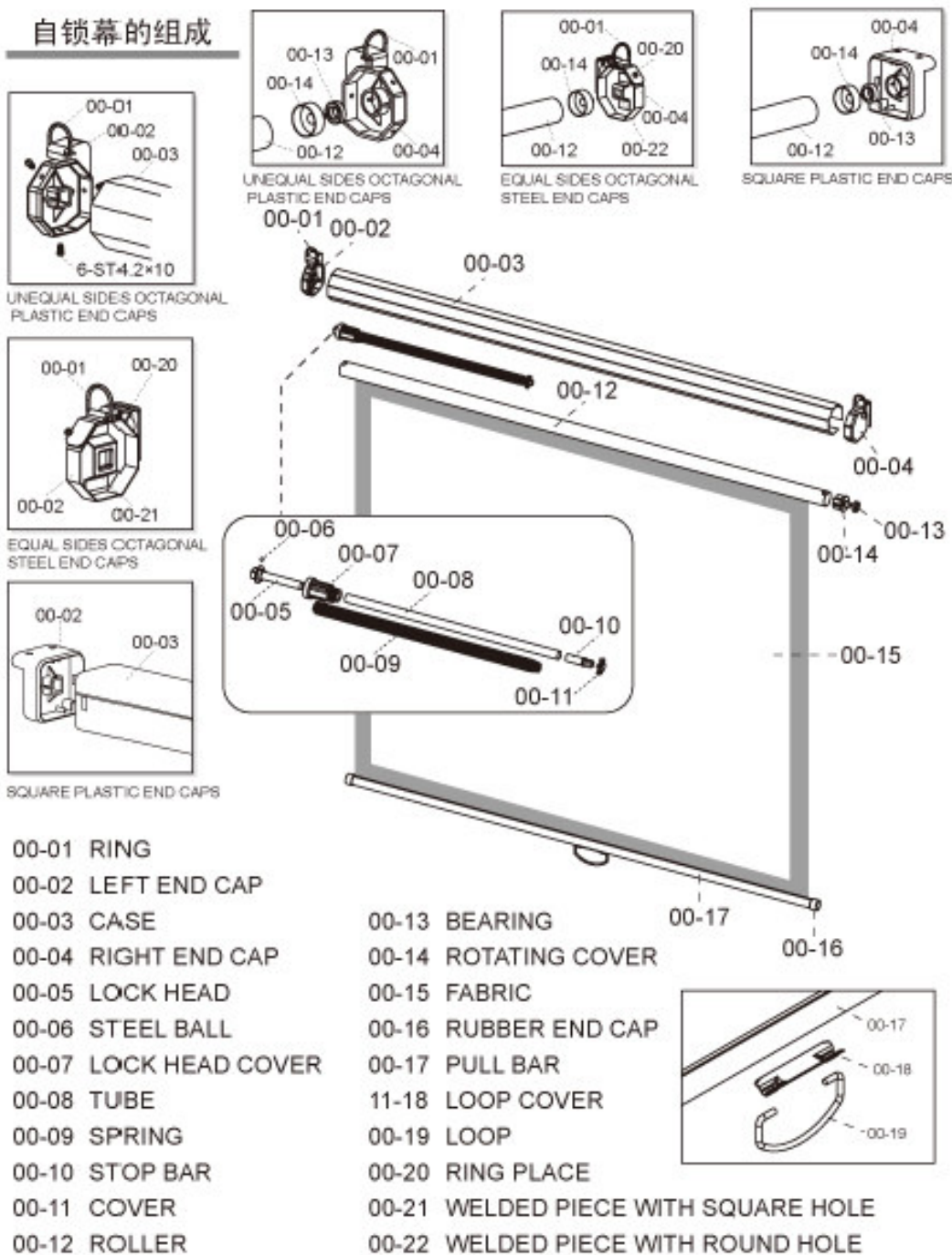


WALL MOUNT SCREEN INSTALLMENT

- Take off the outer packing carefully, then take out the screen and check whether the spare parts is complete.
- Adopt the appropriate method hanging the screen on the wall or the suspension hook firmly.
 (The suspension part is spare part on option)

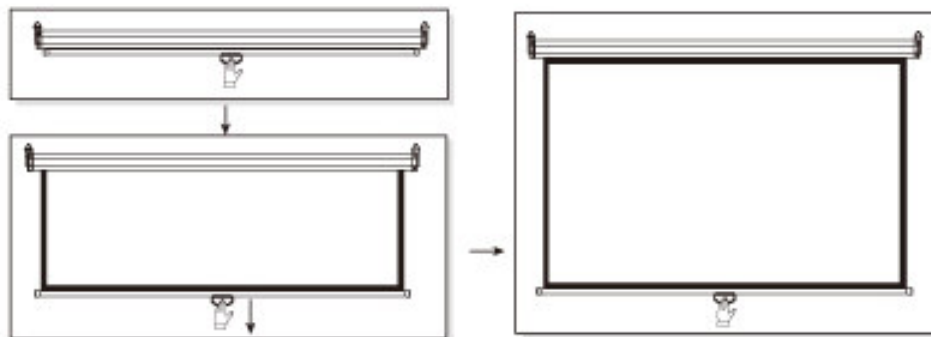


自锁幕的组成



OPERATING INSTRUCTION

- Pull down the screen with the loop (00-15). To the right position, stop for one second, then release the loop(00-15).
- If the screen is not used for a long time, hold the loop (00-15), pull down SLIGHTLY then release it IMMEDIATELY, the screen will go back to the case.

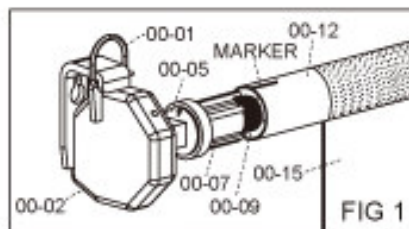


PROBLEM AND SOLUTION

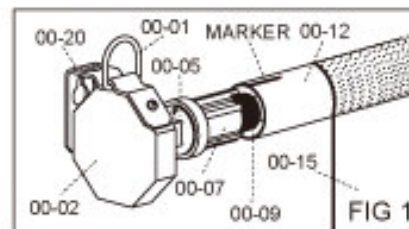
- The screen may have following several problems after long time frequent use.
- ≡ If ONLY THE LATER PART of the screen surface could not retract.
solution: add the loop of the screen:
Loose the three screws of the left end cap (00-02), put out left end cap slightly, make sure it still connected with the lock head (00-05), rotate the spring one or two more turns in clockwise. Then put back the end cap and fasten the screws.
- ≡ If THE WHOLE screen surface could not retract.
Solution: reinstall:
Unscrew the three screws of the left end cap (00-02) and remove (00-02). before put out the lock head from the tube (00-08), marked on the roller(00-12) the position which meets the lock head' s triangle mark (FIG 1) . Then put out the lock head and check them with the above ATTENTION.

After that, put the lock head into the roller(00-12) and meet its triangle mark with the marked position on the roller(00-12)(FIG 1). Put the left end cap in the lock head and make sure that the side of the end cap with the loop(00-01) is on the same side with the triangle mark side of the lock head. rotate the spring in clockwise according to the following table. Then put back the left end cap (00-02) and fasten the screws.

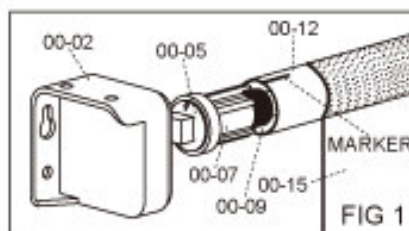
Screen size	turns
1.27-1.53	7--8
1.53-1.80	8--10
1.8-2.03	10--12
2.03-2.44	14--16



UNEQUAL SIDES OCTAGONAL PLASTIC END CAPS



EQUAL SIDES OCTAGONAL STEEL END CAPS



SQUARE PLASTIC END CAPS

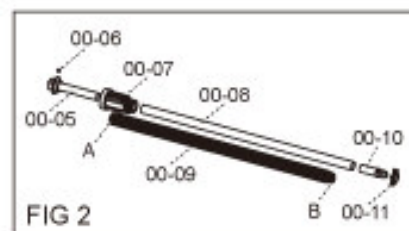
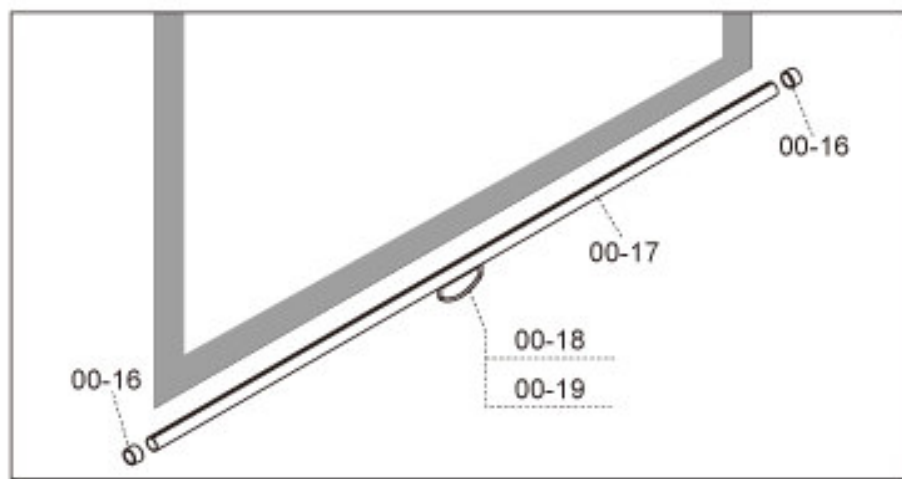


FIG 2

When assembly this part, please pay ATTENTION to:

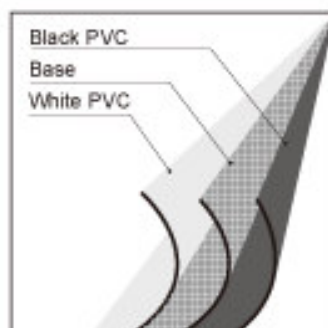
- Screw End A of Spring (00-09) to the bottom of lock head cover (00-07), to prevent any loose between them.
- Insert end B of Spring (00-09) into the slot of the stop bar (00-10), then put the cover (00-11)
- Lock head (00-05) tube (00-08) and stop bar (00-10) have already been assembled at factory.

- Damage of pull loop (00-19) or pull bar (00-17)
 - Remove the rubber end cap(00-16) of the pull bar, draw out the pull bar, change the new one .make sure the flatness of the surface before insert the rubber end cap. Pull the tapes to each side may help you to get the flat surface.

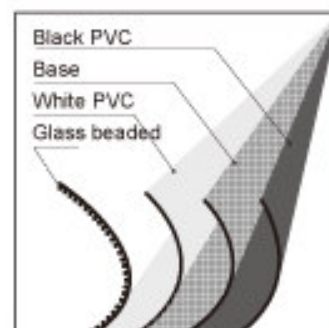


- Screen surface could not move totally or dropped
 - Check if the spring (00-09) is not well connected with the lock head cover(00-07). Reassemble it.Please refer to the ATTENTION.
 - Check if the lock head damaged, change it.

SCREEN FABRIC



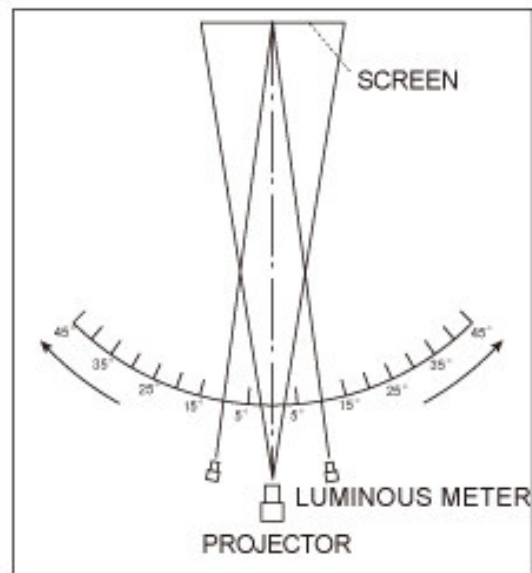
MATTE WHITE SCREEN SURFACE



GLASS BEADED SCREEN SURFACE

TECHNICAL DATA

- Matte White Screen
Gain: 0.9
Viewing Angle: $>160^\circ$
High color rendering, high resolution.
- Glass Beaded Screen
Gain: 2.2
Viewing Angle: $>100^\circ$
High color rendering, high resolution.
- Viewing Angle Measurement: refer the fig below
Standard: JB/T8389 issued by Ministry of Machinery Industry



- Gain Measurement: refer the fig below
Standard: JB/T8389 issued by Ministry of Machinery Industry

